

S-2000 series Label sensors

Features

- ◆ For label design
- ◆ Universal, the most commonly used label detection
- ◆ All-metal case design, high reliability and compatibility
- ◆ Low-cost, high performance
- ◆ M8 connector can be customized(Or standard M8 connector)



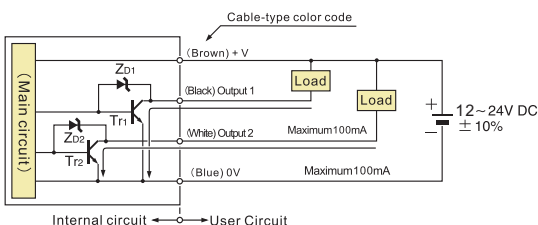
Specifications

Model		Width:2mm		Width:5mm		Width:6mm
Sensing type	Cable type	S-2100N S-2100P	S-2104N S-2104P	S-2107N S-2107P	S-2110N S-2110P	S-2200N S-2200P
	And outlet	Connector type	S-2100N/D S-2100P/D	S-2104N/D S-2104P/D	S-2107N/D S-2107P/D	S-2110N/D S-2110P/D
Scanning distance		2mm		5mm		6mm
light source		940um modulated infrared light				
Operating voltage		DC:12-24V ±10% (Ripple P-P: 10% Max)				
Current consumption		15mA Max				
Load current		100mA Max at DC 24V				
Output type		N=NPN. NO. NC		P=PNP. NO. NC		
Protection circuit		Reversed supply circuit protection, short circuit protection				
Response time		500us max				
Leakage current		< 0.01mA No-load				
Operating mode		Normally open or Normally close selectable by different wires connection				
Roperating temperarure		-10°C~+50°C (without icing or condensation)				
Ambient humidity		35%~85% RH (Relative Humidity)				
Storage temperarure		-20°C~+60°C (without icing or condensation)				
Storage humidity		35%~95% RH (Relative Humidity)				
Protection degree		IP66				
Material		aluminum metal case				
Wiring method		Φ4×2M/4-wires		Φ4×2M/M8 4-wires		

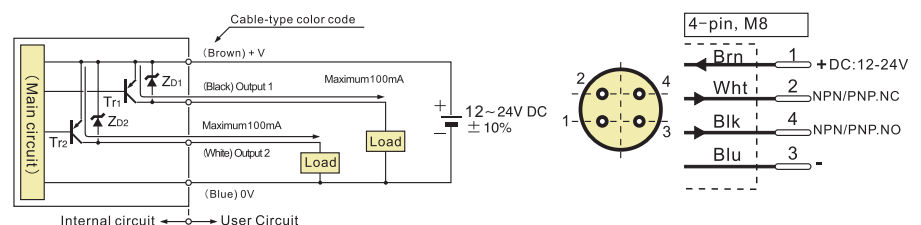
Note: with "N" mean NPN, with "P" mean PNP, with "D" at the end mean M8 connector type

Wiring schemes

NPN. NO/NPN. NC

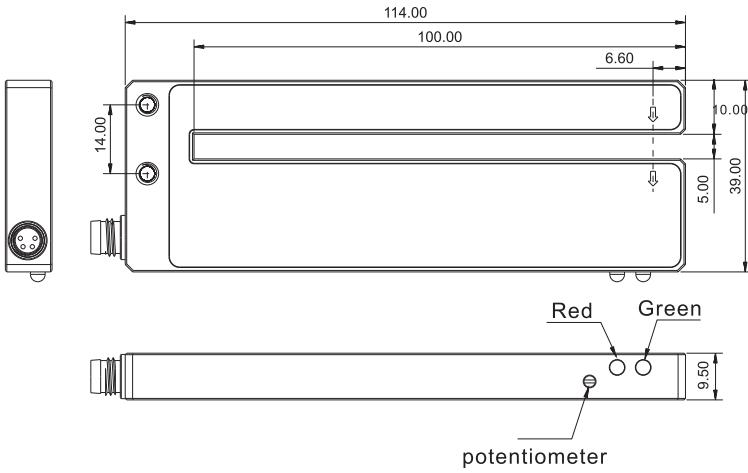


PNP. NO/PNP. NC

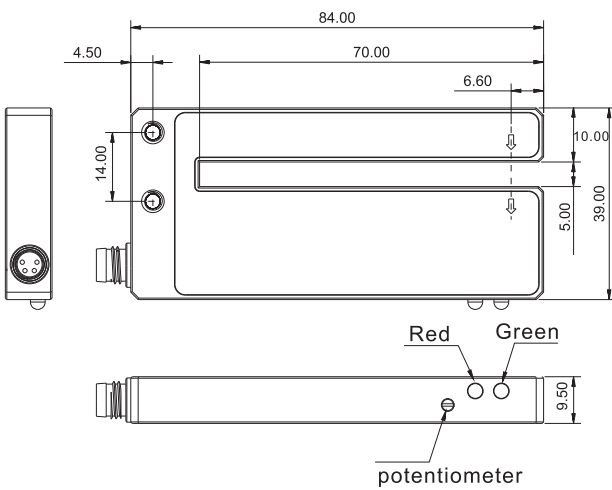


Wiring schemes

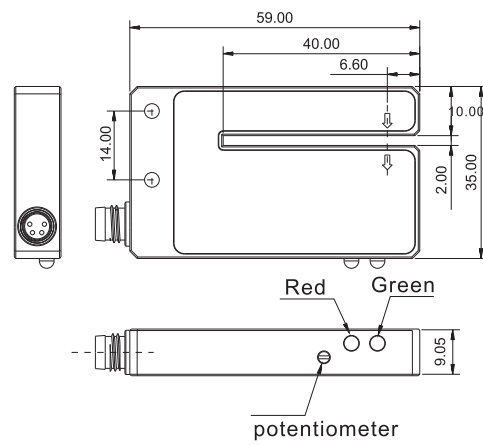
FC-2110



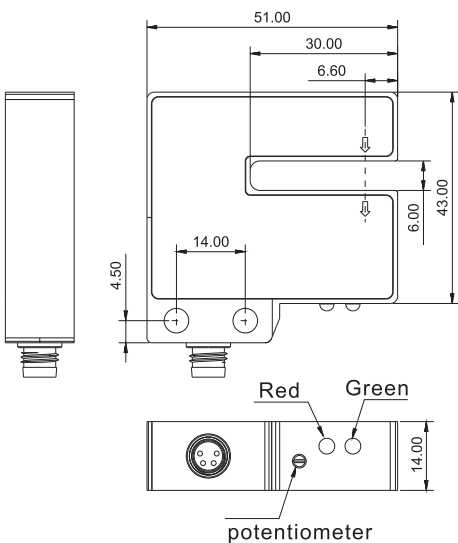
FC-2107



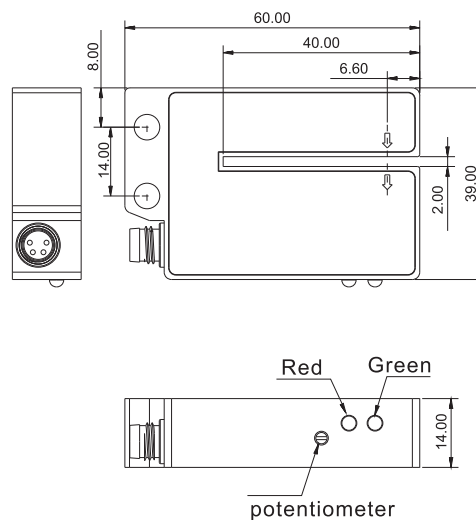
FC-2104



FC-2200



FC-2100



Note: Red light: working indicator, green light: Power indicator