

S-4100 capacitive label sensor

Feature:

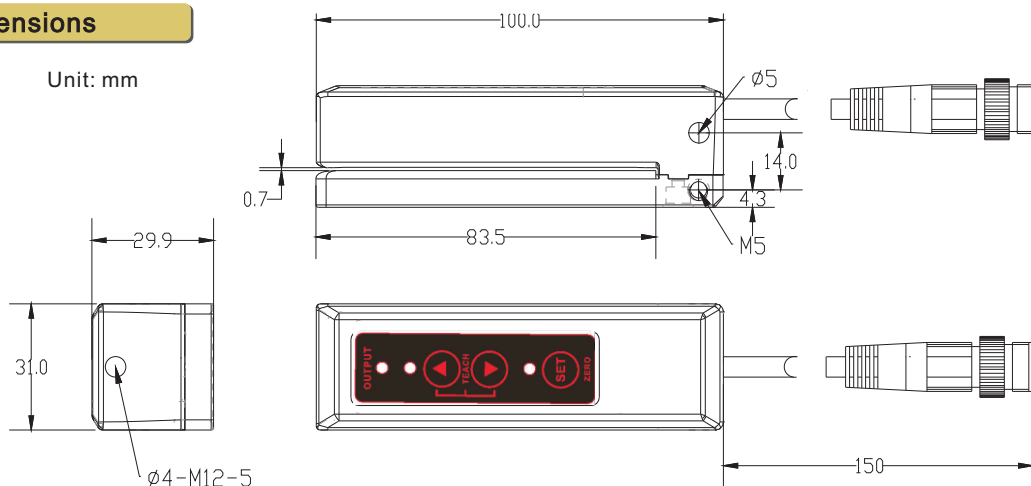
- 1) Capacitive principle detection, clear label can be easy to sense.
- 2) Auto learning mode, one button setting.
- 3) NPN/PNP together, can be switched via different wires connection, one key change NO/NC functions.
- 4) Just needing one key press, setting can be reset to default value.



Specifications

Model	S-4100
Scanning distance	DEPTH*WIDTH:0.7*85mm
Operating voltage	DC10~30V±10% (Ripple P-P: 10% Max)
Current consumption	25mA Max
Response time	0.1ms
Frequency	5KHz
Control Output	NPN transistor collector output, normally open. And PNP transistor collector output, normally open.
Sensing feature	Reversible for labels move direction
Output current	100mA
Electrical reliability	Wiring protection / reverse connection protection / short circuit protection
Indicator	Red LED(H): balance of standare
	Red LED(D): sensitivity level
	Green LED(F): output
Sensitivity adjustment	Learning or remote learning/teaching
Ambient temperature	0°C~60°C
Crust material	AL
Wiring method	5-pins M12 connector
Weight	---

Dimensions



Wiring schemes

